

L-1 | L-1 LED

Design icon and productivity booster

LUXO



LED

DIM



E27



A prime example of how versatility, quality and stylish design can produce a product of such long-lasting popularity. L-1 is the world's original architect lamp designed in 1937 by Luxo's founder, Jac Jacobsen. Since its creation, 25 million L-1 luminaires have been sold worldwide, and L-1 has been distinguished by many prestigious awards in the world of industrial design. The unique design and flexible spring-balanced arm have earned L-1 a place among the world's all time classics.

L-1 LED

The classic L-1 is now available with a modern LED module. Light emitting diodes have an incredibly long life span. The diodes in L-1 LED have a life expectancy of 50,000 hours. L-1 LED is dimmable and has an automatic shut-off after 4 or 9 hours in order to save energy. That means 25 years or more with normal office use. You may never have to change the light source!

Standard with table clamp. Table base and integrated table mounts available on request. Colours: Chrome, white, black or aluminium grey.

The importance of the personal task light

Follow this link to learn more about the importance of good workstation lighting, and how a task light can help you achieve a better working environment.

[• Guide to workstation lighting](#)

L-1 | L-1 LED



L-1 LED



L-1 LED



L-1 LED



L-1



L-1

TECHNICAL DESCRIPTION

BODY MATERIAL & COLOUR

Steel arm and aluminium shade. Colours: chrome, white, black or aluminium grey.

OPTICS

Symmetric light output. Inner shade painted white for maximum efficiency.

POWER SUPPLY

Plug-in 20V power supply for LED version.

LIGHT SOURCE

Supplied with 1 x TC-HSE 11 W. L-1 is certified for maximum 40 W. E27 lampholder.

LED: 8W, 350lm. Correlated colour temperature (CCT) is 3000 K, Colour rendition index (CRI) is 90.

MOUNTING OPTIONS

Standard with table clamp (A-clamp). Table base and integrated table mounts (TT table mount and TE bushing) are available on request.

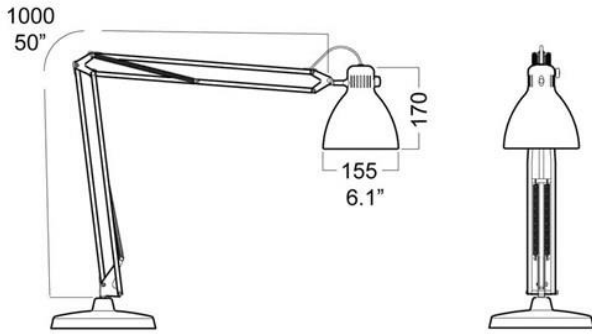
ARM TECHNOLOGY AND MOVEMENT

Parallel, spring-balanced, three-pivot arm. Arm length is 100 cm. Up-and-down and rotational head movement. NB! Allowing for upward head tilt creates more flexibility but may cause unwanted glare.

L-1 LED has a timer. The light will automatically shut off after 4 or 9h in order to save energy.

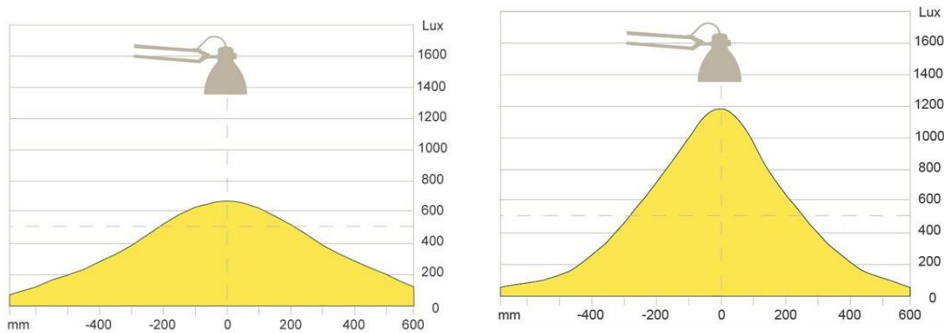
L-1 | L-1 LED

MEASUREMENT DRAWINGS



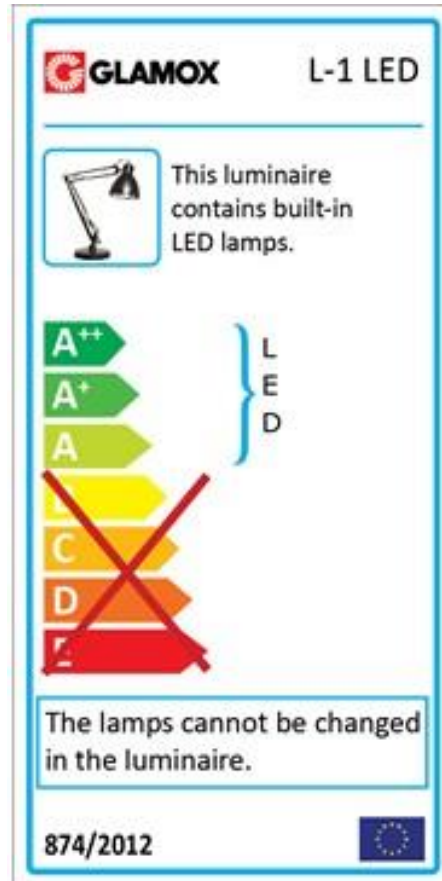
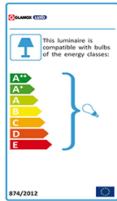
L-1

LIGHT MEASUREMENT DRAWINGS



L-1 | L-1 LED

ENERGY LABEL



L-1 | L-1 LED

GALLERY



L-1



L-1 LED



L-1 LED



L-1 LED



L-1 LED push-button technology